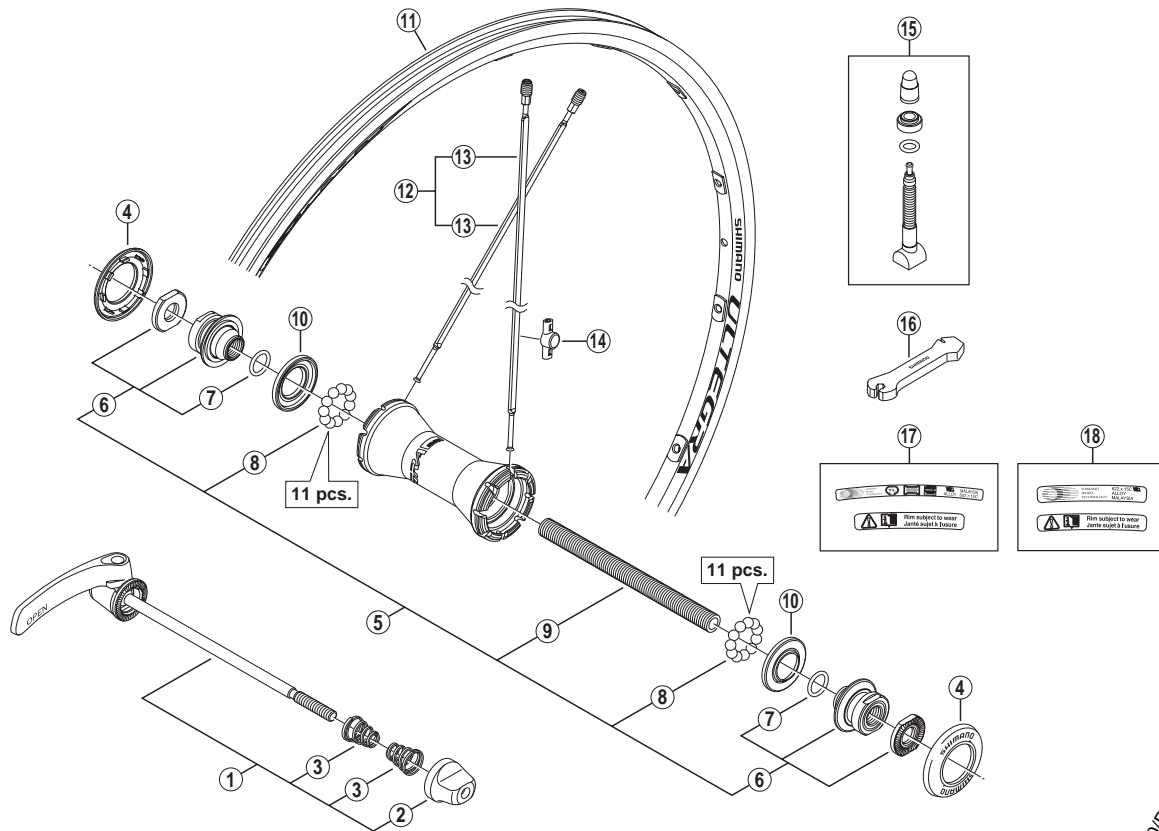


ULTEGRA Front Wheel
WH-6700-F Black
WH-6700-G-F Glossy Grey



• Over Lock Nut Dimension: 100 mm (3-15/16")

WH-RS20/RS30
 WH-RS-10
 WH-6600

ITEM NO.	SHIMANO CODE NO.	DESCRIPTION	INTERCHANGEABILITY
* 1	Y27S98010	Complete Quick Release 133 mm (5-1/4") for WH-6700	
	Y4FP98120	Complete Quick Release 133 mm (5-1/4") for WH-6700-G	
2	Y23W91100	Quick Release Nut	
3	Y23111000	Volute Spring	
4	Y4CB13000	Hub Cap	A
5	Y4F898020	Complete Hub Axle 108 mm (4-1/4")	
6	Y4F898030	Lock Nut Unit	
7	Y2T804000	O-Ring	A A A
8	Y4BB98030	Steel Ball (3/16") 22 pcs.	A A A
9	Y21C03100	Hub Axle M9 x 108 mm (4-1/4")	A A A
10	Y2TA06000	Seal Ring	A A
* 11	EWHRIM2DFGBD	Rim for WH-6700 {16H / Black}	
	EWHRIM2VFGGD	Rim for WH-6700-G {16H / Glossy Grey}	
12	EWHSPOKE2DA1	Spoke Unit for WH-6700 {Spoke (284 mm x 16 pcs.) / Spoke Plug (Silver/16 pcs.) / Washer (16 pcs.)}	
* 12	EWHSPOKE2DA2	Spoke Unit for WH-6700-G {Spoke (284 mm x 16 pcs.) / Spoke Plug (Black/16 pcs.) / Washer (16 pcs.)}	
* 13	Y4FP98110	Spoke (284 mm) w/Plug (Silver) & Washer for WH-6700	
	Y4FP98130	Spoke (284 mm) w/Plug (Black) & Washer for WH-6700-G	
14	Y4EF98060	Magnet Sensor	
15	Y4DS98020	Valve Unit	
16	Y4CK19000	Spoke Plug Wrench	
17	Y4FP98080	Rim Sticker Unit for WH-6700	
* 18	Y4FP98140	Rim Sticker Unit for WH-6700-G	

A: Same parts.

B: Parts are usable, but differ in materials, appearance, finish, size, etc.

Absence of mark indicates non-interchangeability.

Mar.-2011-2915B

© Shimano Inc. I

Specifications are subject to change without notice.

SHIMANO