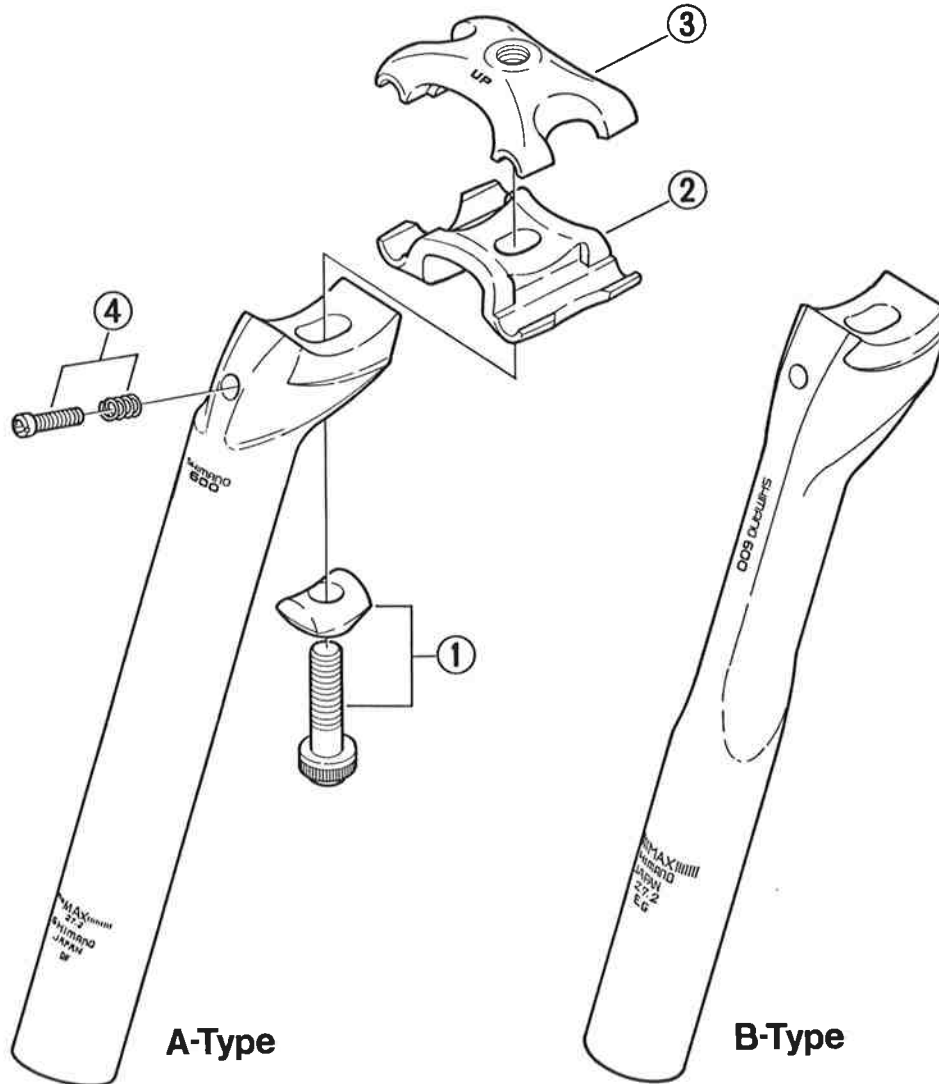


You may photocopy this sheet and use it as an order form.

SP-6207-A Seat Pillar SHIMANO 600EX (A-Type)

SP-6207-B Seat Pillar SHIMANO 600EX (B-Type)



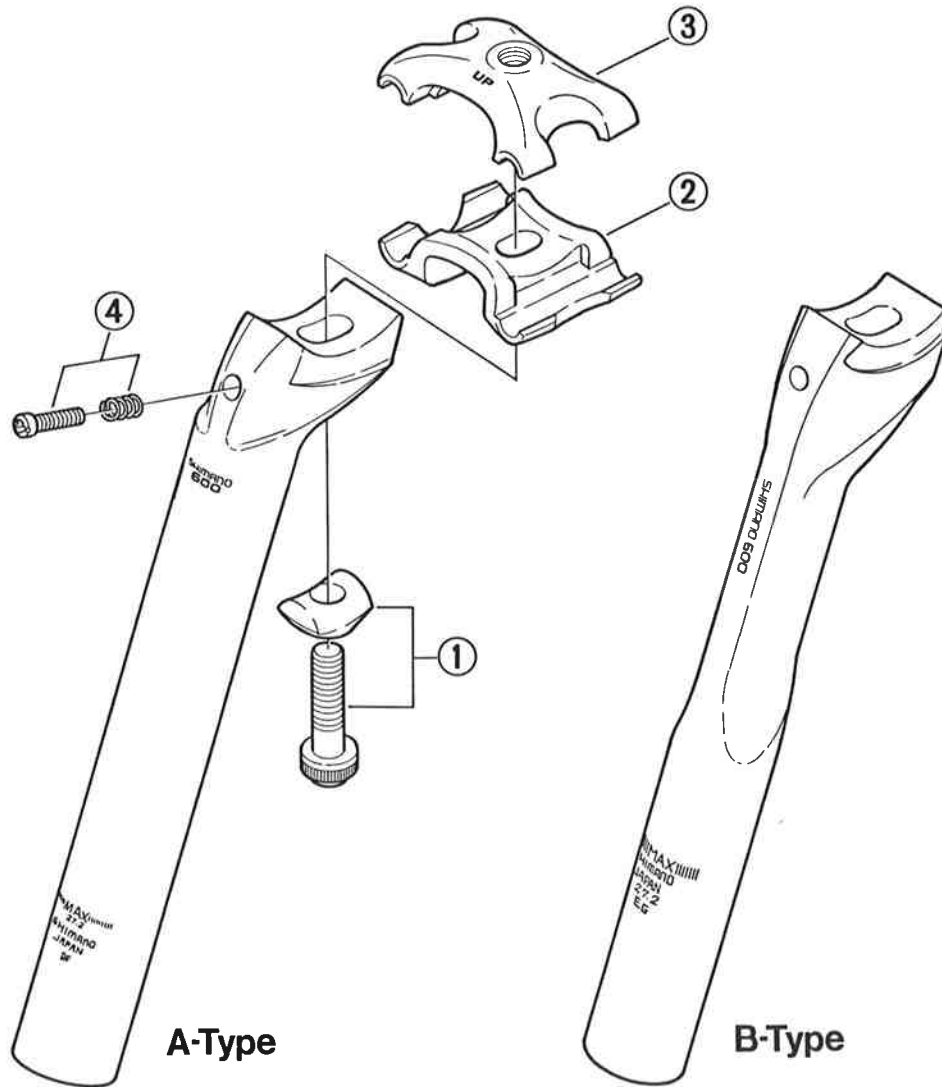
ITEM NO.	PART NO.	DESCRIPTION	Q'TY
1	482 9801	Fixing Bolt & Washer	
2	483 0300	Lower Plate	
3	483 0400	Upper Plate	
4	482 9001	Adjusting Bolt (M4) & Spring	

Printed in Japan 8510-U748

発行 60.10.22

- You may photocopy this sheet and use it as an order form.
- Sie können dieses Blatt kopieren und als Bestellformular verwenden.
- Vous pouvez photocopier cette feuille et l'utiliser comme bon de commande.
- Dit blad kan gecopieerd en als bestelformulier gebruikt worden.
- Potete fotocopiare questo foglio e usarlo come modulo di commissione.

SP-6207-A Seat Pillar SHIMANO 600EX (A-Type)
SP-6207-B Seat Pillar SHIMANO 600EX (B-Type)



ITEM NO.	PART NO.	DESCRIPTION	Q'TY
1	3-482 9801	Fixing Bolt & Washer	
2	483 0300	Lower Plate	
3	483 0400	Upper Plate	
4	3-482 9001	Adjusting Bolt (M4) & Spring	

Printed in Japan 8510-E748