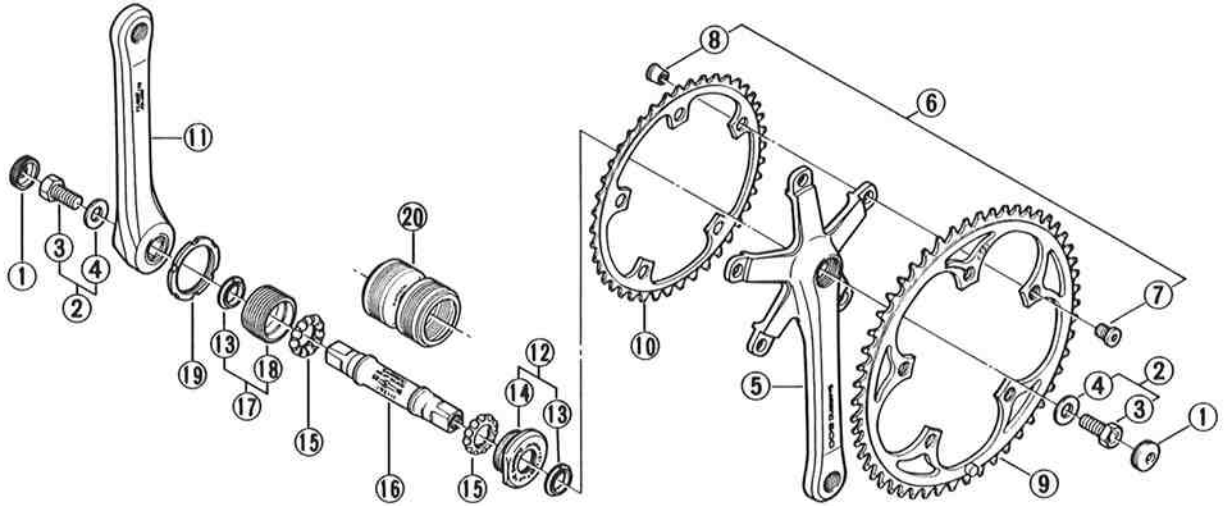


- You may photocopy this sheet and use it as an order form.
- Sie können dieses Blatt kopieren und als Bestellformular verwenden.
- Vous pouvez photocopier cette feuille et l'utiliser comme bon de commande.
- Dit blad kan gecopieerd en als bestelformulier gebruikt worden.
- Potete fotocopiare questo foglio e usarlo come modulo di commissione.

FC-6207 Front Chainwheel

SHIMANO 600EX

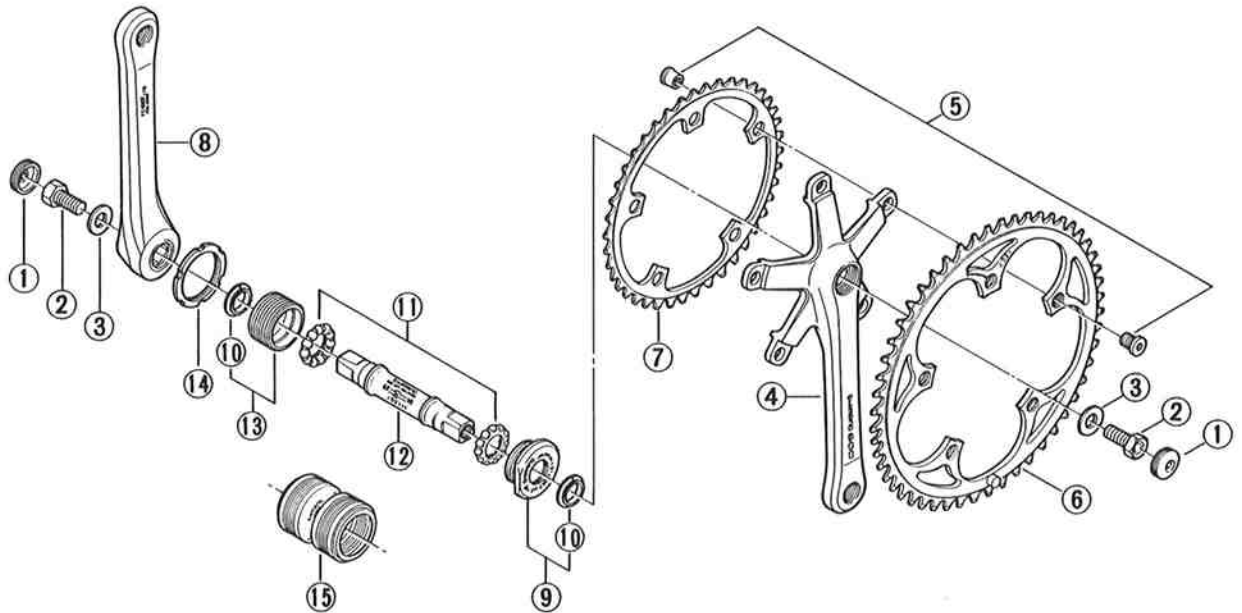
BB-6207 Bottom Bracket Assembly



ITEM NO.	PART NO.	DESCRIPTION	Q'TY
1	144 2001	Crank Arm Cap	
2	3-179 9821	Crank Arm Fixing Bolt & Washer	
3	134 0300	Crank Arm Fixing Bolt	
4	134 0400	Crank Arm Fixing Washer	
5	144 2100	Right Crank Arm 165mm	
	144 2200	Right Crank Arm 167.5mm	
	144 2300	Right Crank Arm 170mm	
	144 2110	Right Crank Arm 165mm French Thread	
	144 2210	Right Crank Arm 167.5mm French Thread	
	144 2310	Right Crank Arm 170mm French Thread	
6	3-132 9801	Chainring Fixing Bolt & Nut (5sets)	
7	132 0502	Chainring Fixing Bolt	
8	132 0600	Chainring Fixing Nut	
9	144 4800	Chainring 48T	
	144 4900	Chainring 49T	
	144 5000	Chainring 50T	
	144 5100	Chainring 51T	
	144 5200	Chainring 52T	
	144 5300	Chainring 53T	
10	145 3910	Chainring 39T	
	145 4010	Chainring 40T	
	145 4110	Chainring 41T	
	145 4210	Chainring 42T	
	145 4310	Chainring 43T	
	145 4410	Chainring 44T	
	145 4510	Chainring 45T	
	144 4650	Chainring 46T	
11	144 2500	Left Crank Arm 165mm	
	144 2600	Left Crank Arm 167.5mm	
	144 2700	Left Crank Arm 170mm	
	144 2510	Left Crank Arm 165mm French Thread	
	144 2610	Left Crank Arm 167.5mm French Thread	
	144 2710	Left Crank Arm 170mm French Thread	
12	3-179 9801	Right Hand Fixed Cup (1.37"x24T) English Thread & Seal Cap	
	3-179 9802	Right Hand Fixed Cup (35xP1) French Thread & Seal Cap	
	3-179 9803	Right Hand Fixed Cup (36x24T) Italian Thread & Seal Cap	
13	179 0100	Seal Cap	
14	179 0200	Right Hand Fixed Cup (1.37"x24T) English Thread	
	179 0300	Right Hand Fixed Cup (35xP1) French Thread	
	179 0500	Right Hand Fixed Cup (36x24T) Italian Thread	
15	3-180 9821	Ball Retainer (1/4")	
16	148 0104	Spindle (D-3L) 116mm for Shell Width 68mm	
16	148 0113	Spindle (D-5LL) 119mm for Shell Width 70mm	
17	3-179 9811	Left Hand Adjustable Cup (1.37"x24T) English Thread & Seal Cap	
	3-179 9812	Left Hand Adjustable Cup (35xP1) French Thread & Seal Cap	
	3-179 9813	Left Hand Adjustable Cup (36x24T) Italian Thread & Seal Cap	
18	179 1100	Left Hand Adjustable Cup (1.37"x24T) English Thread	
	179 1200	Left Hand Adjustable Cup (35xP1) French Thread	
	179 1300	Left Hand Adjustable Cup (36x24T) Italian Thread	
19	137 0500	Lock Ring (1.37"x24T) English Thread	
	137 0510	Lock Ring (35xP1) French Thread	
	137 0520	Lock Ring (36x24T) Italian Thread	
*20	179 2100	Dust Seal	

FC-6207 Front Chainwheel
 SHIMANO 600EX

BB-6207 Bottom Bracket Assembly



ITEM NO.	PART NO.	DESCRIPTION	Q'TY
1	144 2001	Crank Arm Cap	
2	134 0300	Crank Arm Fixing Bolt	
3	134 0400	Crank Arm Fixing Washer	
4	144 2100	Right Crank Arm 165mm	
	144 2300	Right Crank Arm 170mm	
	144 3100	Right Crank Arm 172.5mm	
	144 3200	Right Crank Arm 175mm	
5	132 9801	Chainring Fixing Bolt & Nut (5sets)	
	144 4800	Chainring 48T	
6	144 4900	Chainring 49T	
	144 5000	Chainring 50T	
	144 5100	Chainring 51T	
	144 5200	Chainring 52T	
	144 5300	Chainring 53T	
	7	145 3910	Chainring 39T
145 4010		Chainring 40T	
145 4110		Chainring 41T	
145 4210		Chainring 42T	
145 4310		Chainring 43T	
145 4410		Chainring 44T	
145 4510		Chainring 45T	
144 4650		Chainring 46T	
8	144 2500	Left Crank Arm 165mm	
	144 2700	Left Crank Arm 170mm	
	144 3500	Left Crank Arm 172.5mm	
	144 3600	Left Crank Arm 175mm	
9	179 9801	Right Hand Fixed Cup (1.37"x24T) English Thread & Seal Cap	
	179 9802	Right Hand Fixed Cup (35xP1) French Thread & Seal Cap	
	179 9803	Right Hand Fixed Cup (36x24T) Italian Thread & Seal Cap	
10	179 0100	Seal Cap	
11	189 9810	Ball Retainer (1/4") 2pcs.	
12	148 0104	Spindle (D-3L) 116mm for Shell Width 68mm	
	148 0113	Spindle (D-5LL) 119mm for Shell Width 70mm	
	179 9811	Left Hand Adjustable Cup (1.37"x24T) English Thread & Seal Cap	
13	179 9812	Left Hand Adjustable Cup (35xP1) French Thread & Seal Cap	
	179 9813	Left Hand Adjustable Cup (36x24T) Italian Thread & Seal Cap	
	137 0500	Lock Ring (1.37"x24T) English Thread	
14	137 0510	Lock Ring (35xP1) French Thread	
	137 0520	Lock Ring (36x24T) Italian Thread	
	*15	179 2100	Dust Seal